

Množstvo **Popis**

1

MAGNA3 80-120 F**Poznámka:** Obrázok produktu sa môže líšiť od skutočného produktuObjednacie č.: [97924330](#)

The Grundfos MAGNA3 circulator pump is the ideal choice for almost any building project – old or new. With its unrivalled energy efficiency, all-encompassing range and built-in communication capabilities, MAGNA3 is ideal for engineers and specifiers looking to create high-performance heating and cooling systems.

The pump is maintenance-free due to the canned-rotor type design. This also means that pump and motor form an integral unit without shaft seal and with only two gaskets for sealing. The bearings are lubricated by the pumped liquid.

MAGNA3 features an intuitive display and allows you to connect wirelessly with the Grundfos GO Remote app, giving you access to advanced reporting and monitoring.

MAGNA3 model E has Bluetooth, which allows you to connect directly to Grundfos Go app on your smart phone without any need for a dongle.

The pump includes fieldbus communication via CIM modules as well as analog and digital inputs and configurable relays.

Control features include AUTOADAPT and FLOWADAPT. FLOWADAPT which reduces the need for throttling valves, thus cutting costs on system components.

MAGNA3 is the superior choice for a wide range of heating and cooling applications, including:

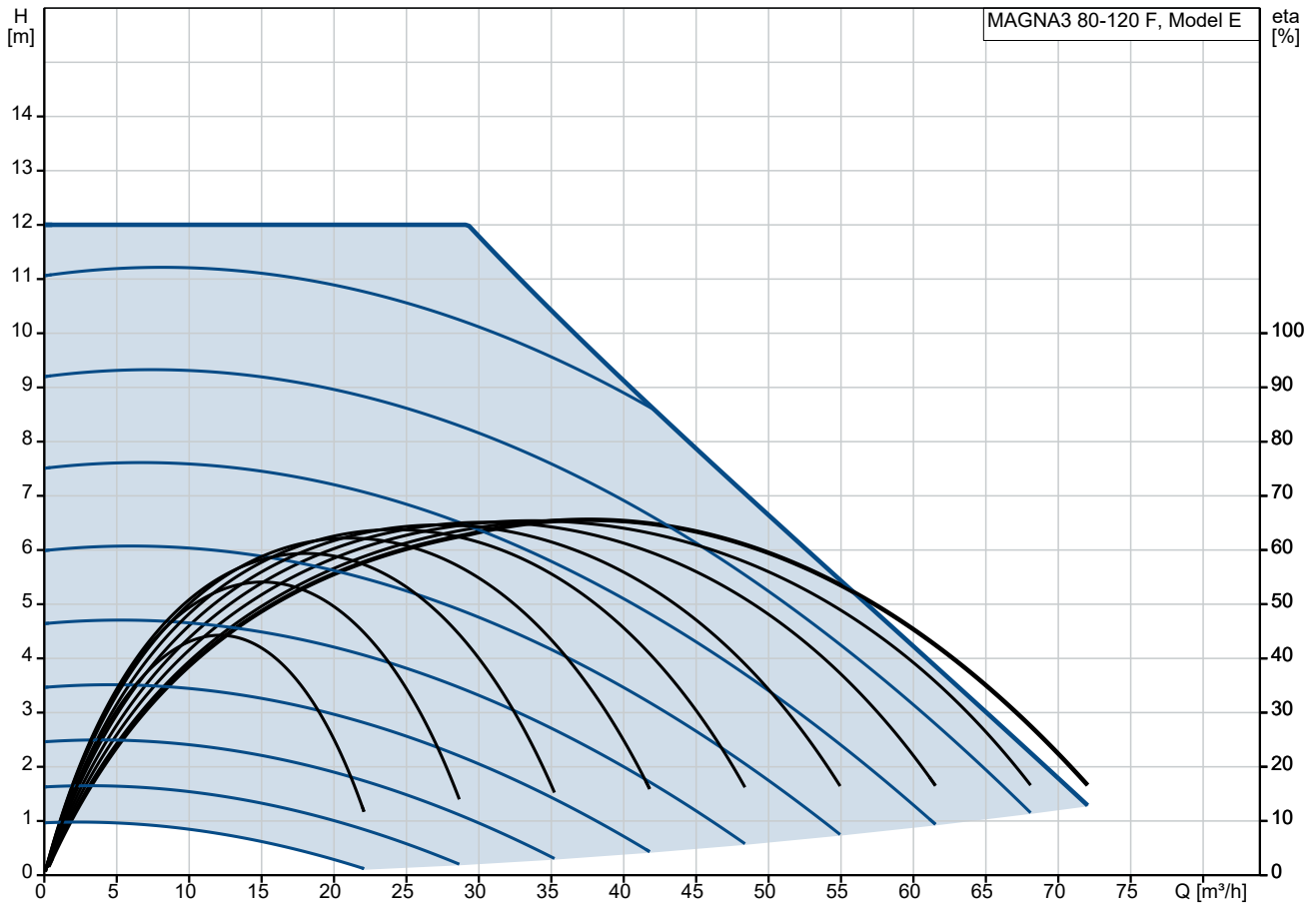
- Mixing loops
- Heating surfaces
- Air conditioning surfaces
- Ground-source heat pump systems
- Smaller chiller applications.

MAGNA3 is a single-phase pump and characterised by having the controller and control display integrated in the control box. The pump also has a built-in differential-pressure and temperature sensor.

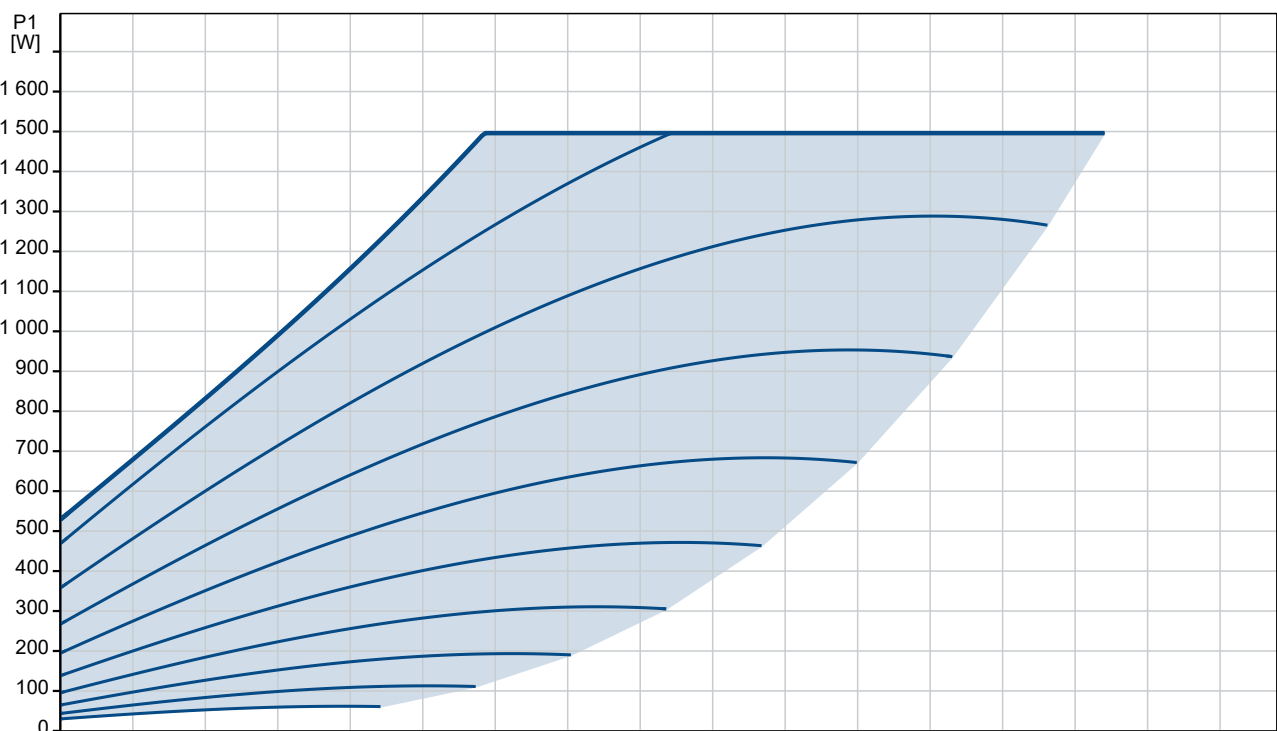
The pump housing is available in both cast-iron and stainless-steel versions. The composite rotor can be carbon-fibre reinforced, the bearing plate and rotor cladding are made of stainless steel and the stator housing is made of aluminium. The power electronics are air-cooled.

MAGNA3 incorporates a 4-pole synchronous, permanent-magnet motor (PM motor). This motor type is characterised by higher efficiency than a conventional asynchronous squirrel-cage motor. The pump speed is controlled by an integrated frequency converter.

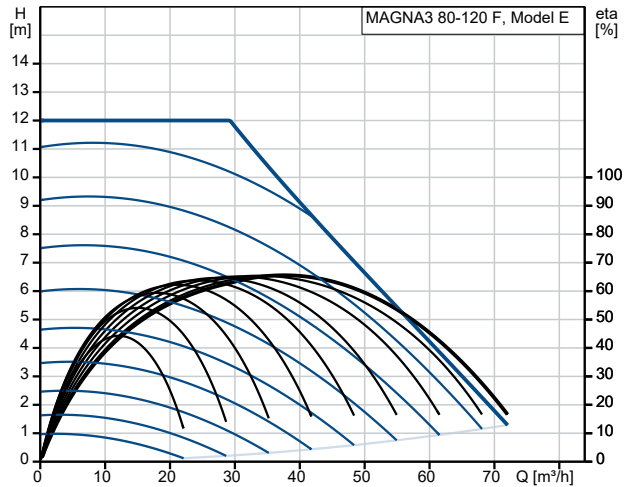
97924330 MAGNA3 80-120 F



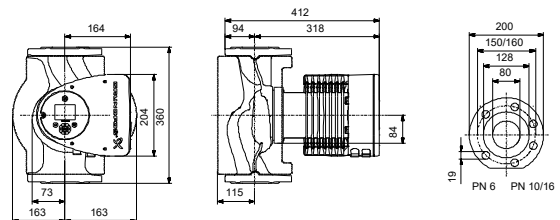
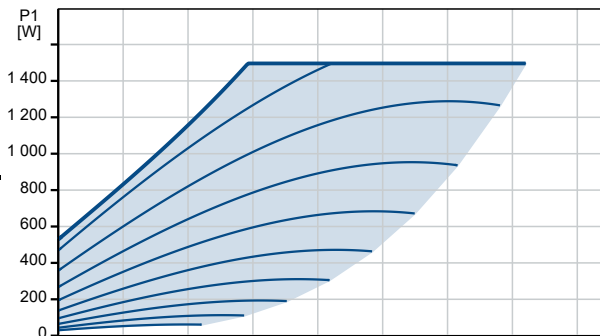
Čerpaná kvapalina = Voda
 Teplota kvapaliny počas prevádzky = 60 °C
 Hustota = 983.2 kg/m³



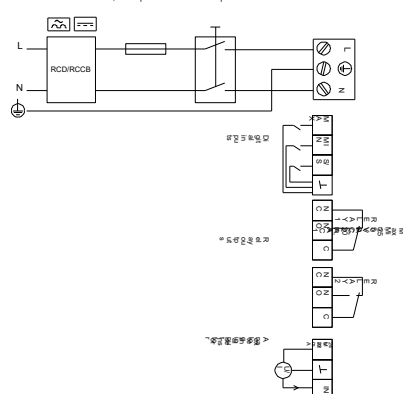
| Popis | Hodnota |
|------------------------------|---|
| Všeobecné informácie: | |
| Názov produktu: | MAGNA3 80-120 F |
| Objednacie číslo: | 97924330 |
| Číslo EAN: | 5710626494064 |
| Cena: | EUR 5991 |
| Techn.: | |
| Menovitý prietok: | 37.41 m ³ /h |
| Men.dopravná výška: | 9.79 m |
| Max. dopravná výška: | 120 dm |
| Trieda TF: | 110 |
| Approvals: | CE, VDE, EAC, MOROCCO, UKCA, TSERCM, UkrSEPRO |
| Model: | E |
| Materiály: | |
| Teleso čerpadla: | Šedá liatina |
| Teleso čerpadla: | EN-GJL-250 |
| Teleso čerpadla: | ASTM A48-250B |
| Obežné koleso: | PES 30%GF |
| Inštalácia: | |
| Rozsah teploty okolia: | 0 .. 40 °C |
| Maximálny prevádzkový tlak: | 16 bar |
| Štandardná príruha: | DIN |
| Potrubná prípojka: | DN 80 |
| Hodnota tlaku: | PN 16 |
| Vzdialenosť sac.-výtl.: | 360 mm |
| Kvapalina: | |
| Čerpaná kvapalina: | Voda |
| Rozsah teploty kvapaliny: | -10 .. 110 °C |
| Vybraná teplota kvapaliny: | 60 °C |
| Hustota: | 983.2 kg/m ³ |
| Elektrické údaje: | |
| Príkon - P1: | 31 .. 1496 W |
| f: | 50 / 60 Hz |
| Menovité napätie: | 1 x 230 V |
| I MAX: | 0.32 .. 6.65 A |
| Krytie IP: | X4D |
| Izolácia: | F |
| Iné: | |
| Energia (EEI): | 0.17 |
| Čistá hmotnosť: | 29.7 kg |
| Hrubá hmotnosť: | 32.4 kg |
| Prepravné množstvo: | 0.071 m ³ |
| Dánčina: | 380968812 |
| Krajina pôvodu: | DE |
| Tarifná klasifikácia č.: | 84137030 |
| Environmental approvals: | CN ROHS, WEEE |



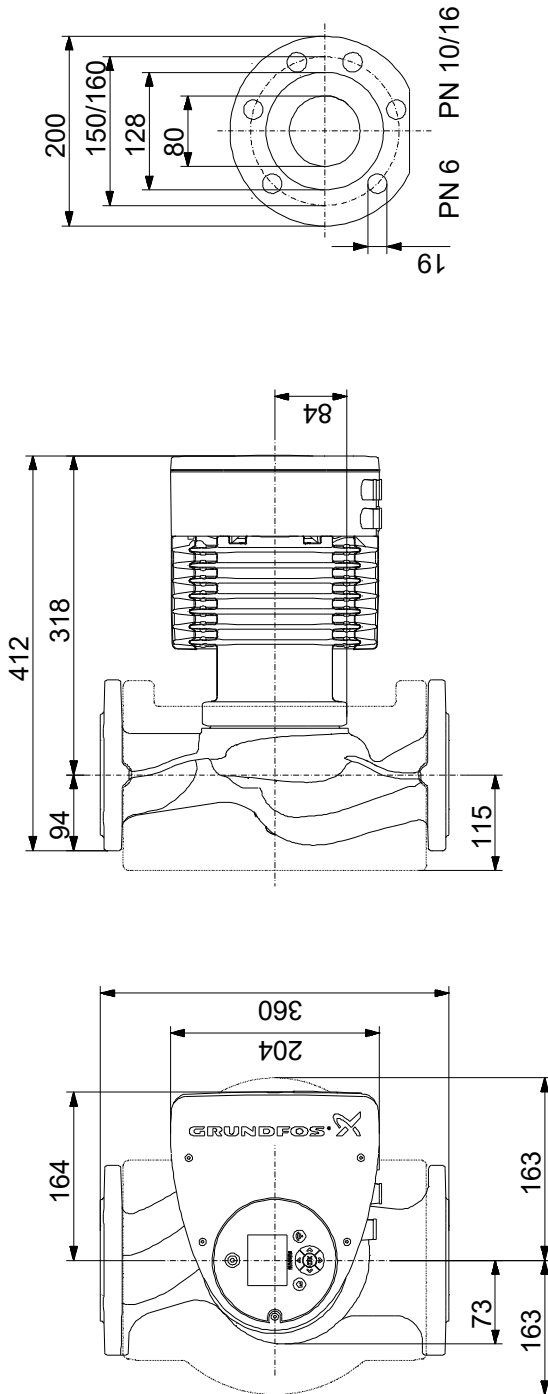
Čerpaná kvapalina = Voda
 Teplota kvapaliny počas prevádzky = 60 °C
 Hustota = 983.2 kg/m³



Example of mains-connected motor with mains switch, backup fuse and additional protection



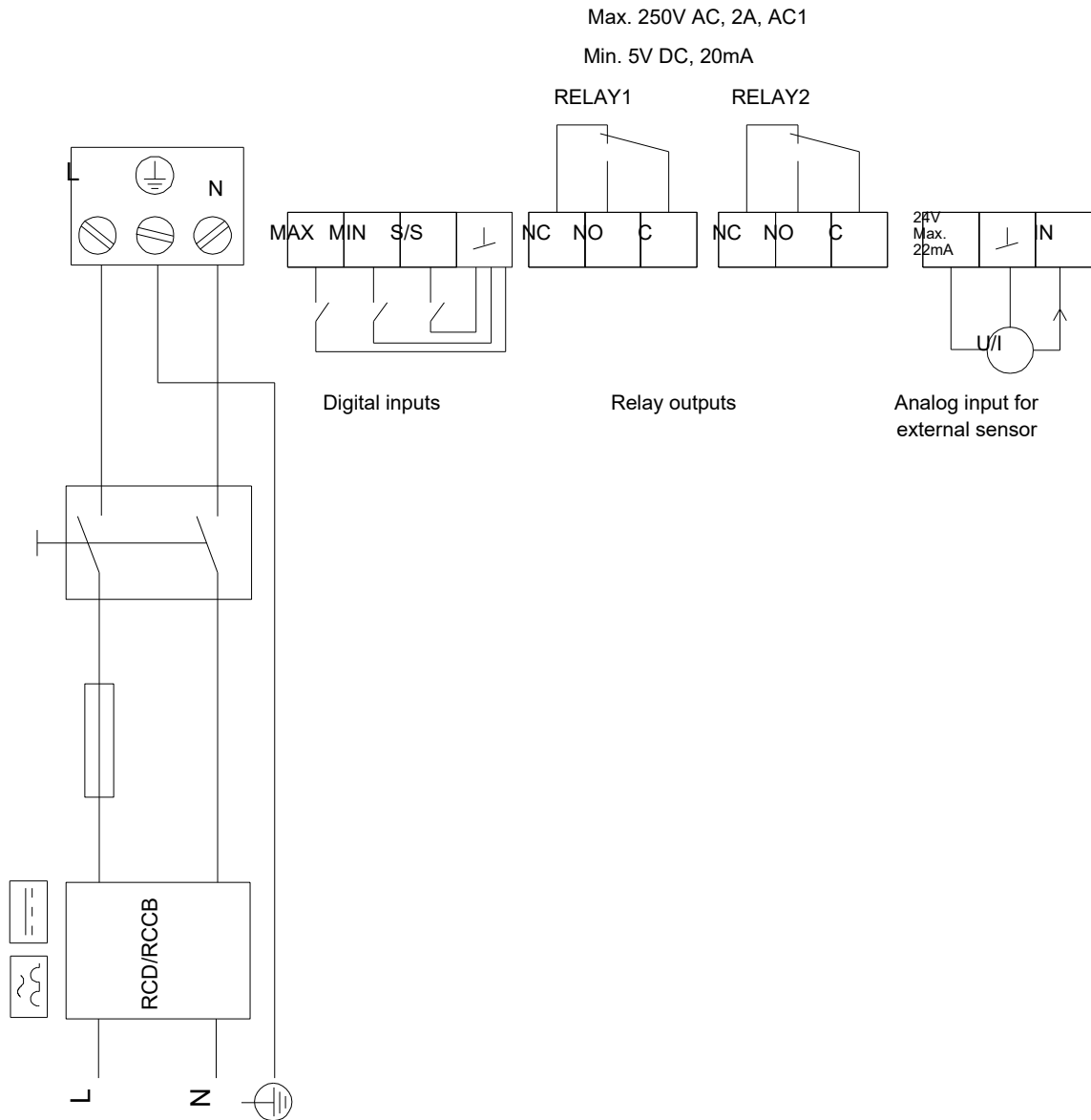
97924330 MAGNA3 80-120 F



Upozornenie! Všetky jednotky musia byť v [mm], pokiaľ nie je uvedené inak.
Poznámka: Tento zjednodušený rozmerový náčrtok nezobrazuje všetky detaily.

97924330 MAGNA3 80-120 F

Example of mains-connected motor with mains switch, backup fuse and additional protection



Upozornenie! Všetky jednotky sú v [mm], pokiaľ nie je uvedené inak!

Objednávacie údaje:

| Pozícia | Vaša poz. | Názov produktu | Množstvo | Objednacie číslo | Celkom |
|----------------|------------------|-----------------------|-----------------|-------------------------|--------------------|
| | | MAGNA3 80-120 F | 1 | 97924330 | Cena na požiadanie |
| | | | | | |
| | | | | | |
| | | | | | |
| | | | | | |