

Množstvo **Popis**

1

ALPHA2 25-60 N 130

Poznámka: Obrázok produktu sa môže líšiť od skutočného produktu

Objednacie č.: [99411287](#)

Grundfos ALPHA2 high-efficiency circulator pumps are designed for circulating liquids in heating systems. The stainless-steel variant of the ALPHA2 is suitable for e.g. domestic hot-water systems. With an energy efficiency index (EEI) well below the ErP benchmark, it ensures substantial energy savings.

The AUTOADAPT function continuously adapts the pump performance to the actual heat demand, i.e. the size of the system and changing heat demand during the year.

The AUTOADAPT feature finds the setting that provides optimal comfort with minimal energy consumption and makes the commissioning fast, safe, and easy.

ALPHA2 also offers proportional-pressure, constant-pressure and constant-curve control modes.

With the automatic night setback function, the pump automatically changes between normal duty and night setback.

The changeover depends on the flow-pipe temperature controlled by the heating appliance.

In manual summer mode, the pump does not operate but starts automatically at low speed to avoid blocking the rotor as well as sticky valves and non-return valves.

Control modes and functions are selected using the buttons on the display. The LEDs indicate the operating status, actual power consumption in watt or actual flow rate in m³/h as well as warnings and alarms.

Furthermore, ALPHA2 is compatible with ALPHA Reader and the Grundfos GO Balance app, enabling installers to perform easy hydronic balancing of radiator- and underfloor-heating systems.

The design and chosen materials of the pump contribute to long life.

The pump is self-venting through the system, which contributes to easy commissioning.

The compact design, featuring a pump head with an integrated control box, fits into most common installations.

Pump and motor form an integral unit without a shaft seal.

The bearings are lubricated by the pumped liquid.

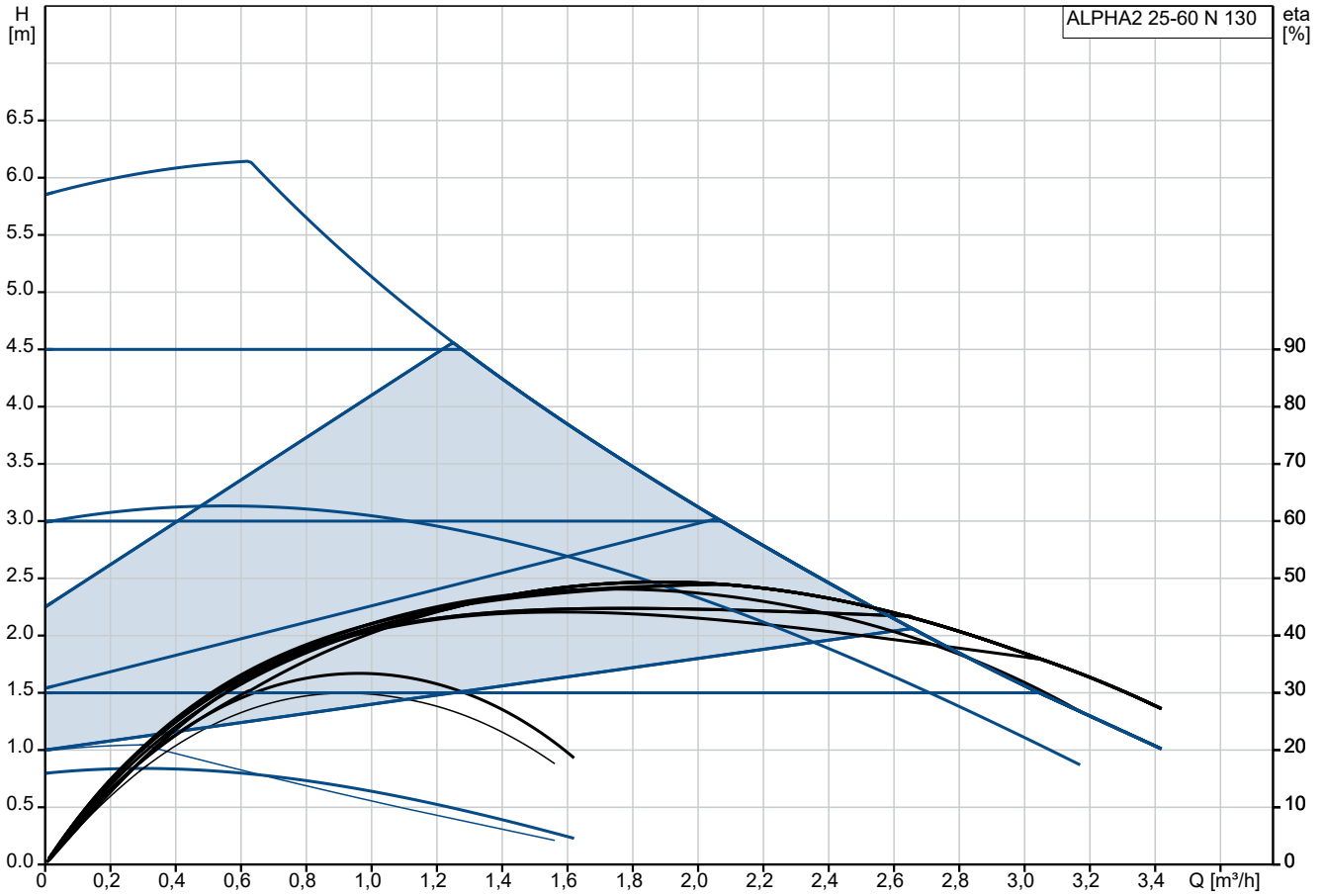
These constructional features ensure maintenance-free operation.

The active dry-running protection feature protects the pump against dry running during startup and normal operation. In case of a blocked rotor, the pump will continuously attempt to restart with highest possible torque.

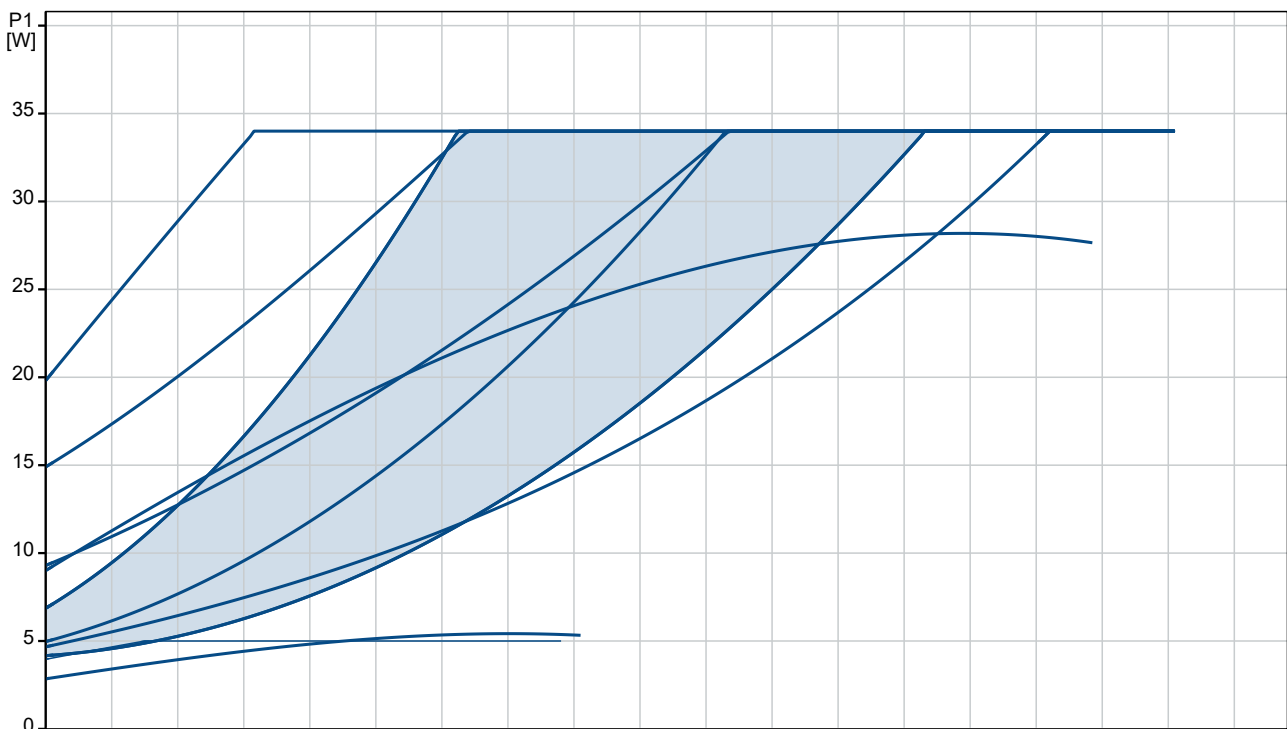
Pump housings made of cast iron are electrocoated to improve corrosion resistance. The motor is a synchronous permanent-magnet/compact-stator motor characterised by high efficiency. The pump speed is controlled by an integrated frequency converter incorporated in the control box.

Insulating shells are supplied with pumps to minimise heat loss in heating systems.

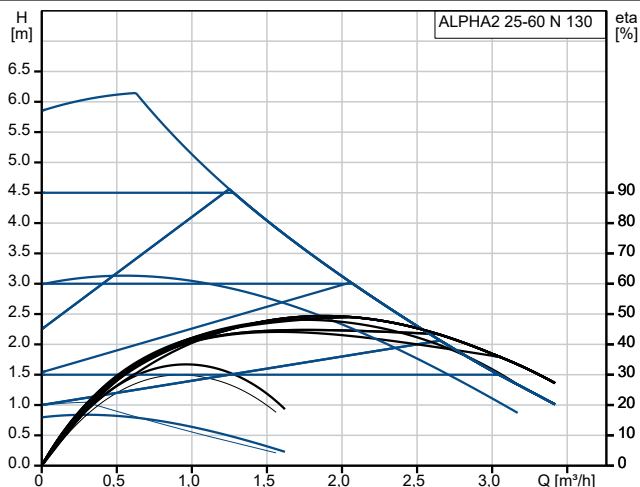
99411287 ALPHA2 25-60 N 130



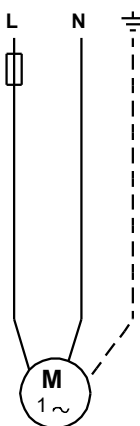
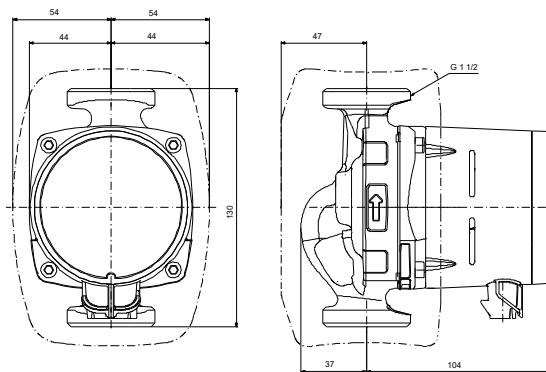
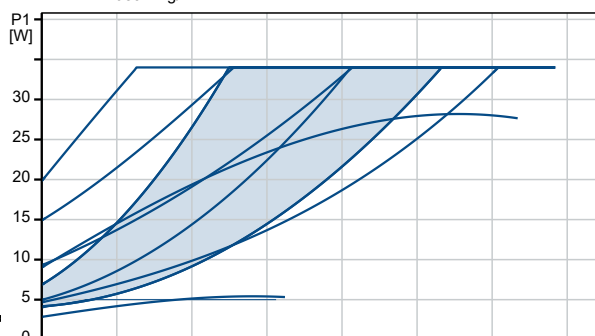
Čerpaná kvapalina = Voda
 Teplota kvapaliny počas prevádzky = 60 °C
 Hustota = 983.2 kg/m³



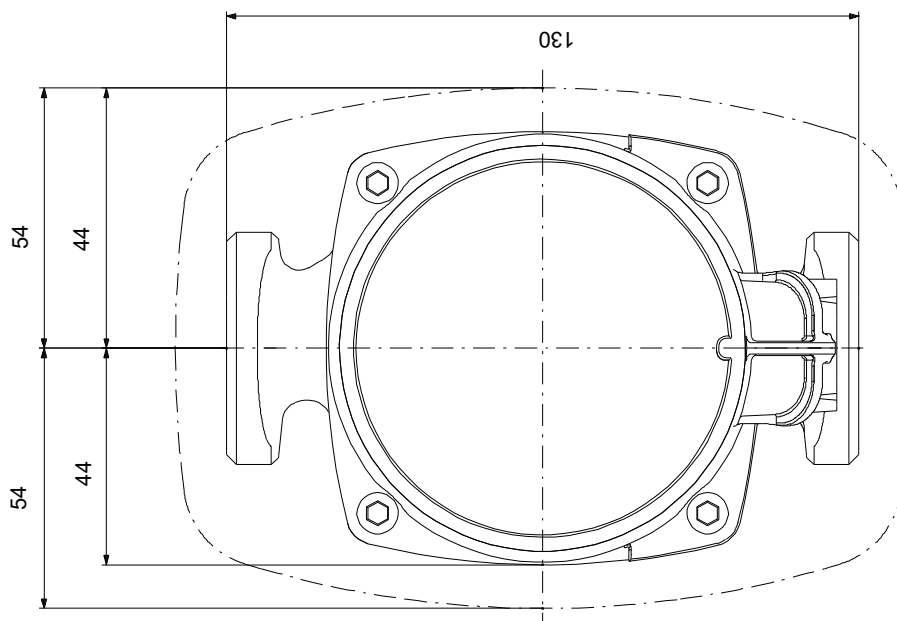
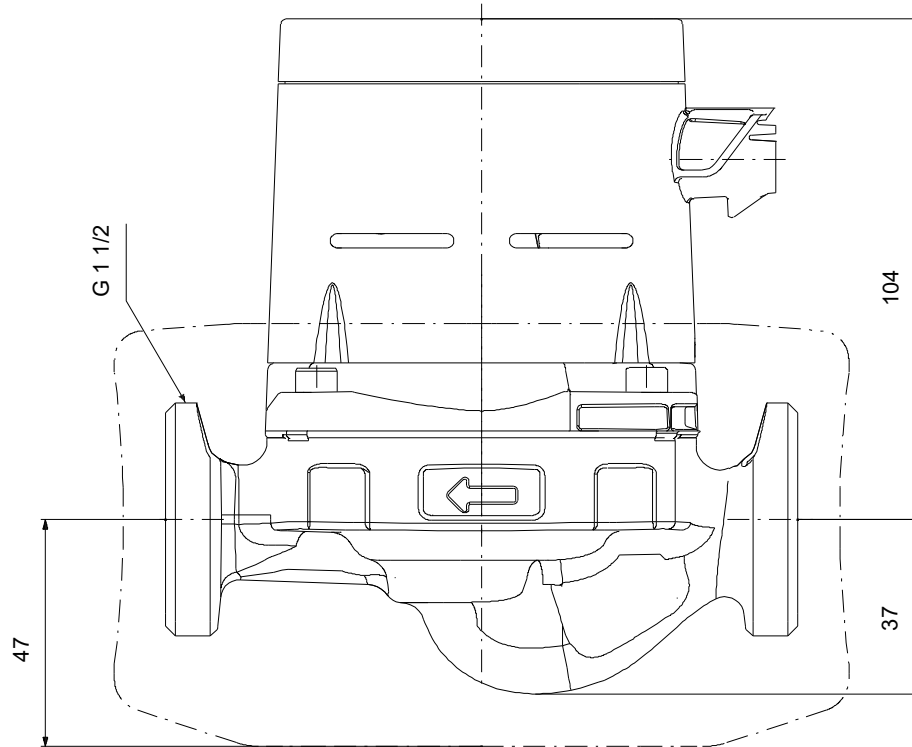
Popis	Hodnota
Všeobecné informácie:	
Názov produktu:	ALPHA2 25-60 N 130
Objednacie číslo:	99411287
Číslo EAN:	5713828677709
Cena:	EUR 874
Techn.:	
Menovitý prietok:	1.94 m ³ /h
Men.dopravná výška:	3.28 m
Max. výtlačná výška:	60 dm
Trieda TF:	110
Schválenia:	CE,VDE,EAC,RCM,SEPRO
Model:	E
Materiály:	
Teleso čerpadla:	Nehrdzavejúca oceľ
Teleso čerpadla:	EN 1.4308
Teleso čerpadla:	ASTM A351-CF8
Obežné koleso:	Kompozit
Obežné koleso:	PES 30% GF + PESU-GF20%
Inštalácia:	
Rozsah teploty okolia:	0 .. 40 °C
Maximálny prevádzkový tlak:	10 bar
Druh pripojenia:	G
Veľkosť pripojenia:	1 1/2 inch
PN pre potrubnú prípojku:	PN 10
Pripojenie na príp.:	130 mm
Kvapalina:	
Čerpaná kvapalina:	Voda
Rozsah teploty kvapaliny:	0 .. 110 °C
Výbraná teplota kvapaliny:	60 °C
Hustota:	983.2 kg/m ³
Elektrické údaje:	
P1 min:	3 W
Príkion P1:	34 W
f:	50 / 60 Hz
Menovité napätie:	1 x 230 V
I MAX:	0.04 .. 0.32 A
Krytie IP:	X4D
Izolácia:	F
Ochrana motora:	ŽIADNY
Teplotná ochrana:	ELEC
Riadiace jednotky:	
Aut. nočná prevádzka:	Vrátane automat. nočnej reduk. prevádzky
Iné:	
Energia (EEI):	0.17
Poloha svorkovnice:	6H
Čistá hmotnosť:	2.04 kg
Hrubá hmotnosť:	2.2 kg
Prepravné množstvo:	0.004 m ³
Dánčina:	380463060
Švédčina:	5790514
Fínčina:	4615346
Nórčina:	9043162
Krajina pôvodu:	DK
Tarifná klasifikácia č.:	84137030



Čerpaná kvapalina = Voda
 Teplota kvapaliny počas prevádzky = 60 °C
 Hustota = 983.2 kg/m³

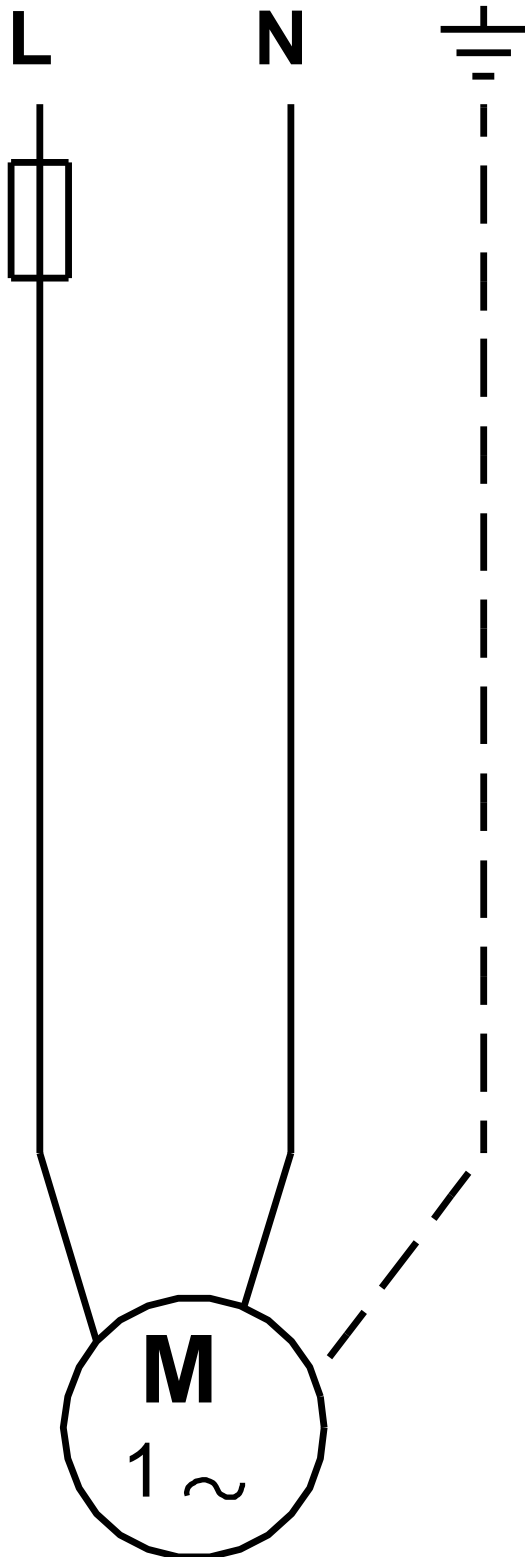


99411287 ALPHA2 25-60 N 130



Upozornenie! Všetky jednotky musia byť v [mm], pokiaľ nie je uvedené inak.
Poznámka: Tento zjednodušený rozmerový náčrtok nezobrazuje všetky detaily.

99411287 ALPHA2 25-60 N 130



Upozornenie! Všetky jednotky sú v [mm], pokiaľ nie je uvedené inak!



Objednávacie údaje:

Pozícia	Vaša poz.	Názov produktu	Množstvo	Objednacie číslo	Celkom
		ALPHA2 25-60 N 130	1	99411287	Cena na požiadanie