

Hydrolux

Differential pressure overflow valve
with direct setting value display



HEIMEIER >

Pressurisation & Water Quality > Balancing & Control > Thermostatic Control

ENGINEERING ADVANTAGE

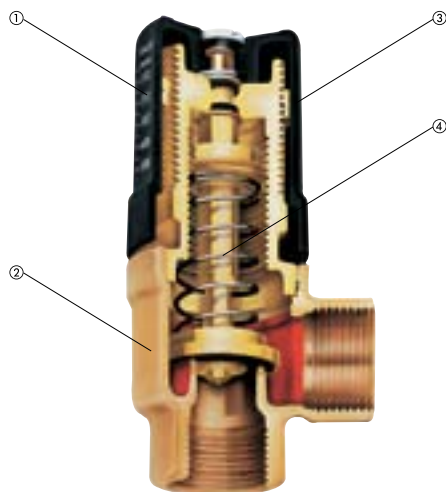
> Technical Description

HEIMEIER Hydrolux is a proportional working, p-band controlled overflow valve with low proportional deviation. Body made of corrosion-resistant gunmetal with threads according to DIN 2999. Direct setting scale display. Highest reaction precision due to an inner setting value spring with generous dimensions, made of special steel. Low friction central valve disc guide. Progressive setting, secured against unauthorised adjustment. Setting range 50–500 mbar. Adjusted on the operating side and preset to 200 mbar. Models NW 20 to NW 32. Female thread connections on the incoming side; female thread or flat sealing lockshield on the out going side.



> Assembly

Hydrolux



1. Setting scale
2. Body made of corrosion resistant gunmetal
3. Handwheel
4. Setting value spring

- **Direct setting scale display**
- **Low proportional deviation**
- **Extremely low noise, current efficient construction**
- **Low friction valve disc center guide**
- **Body made of corrosion resistant gunmetal**

> Function

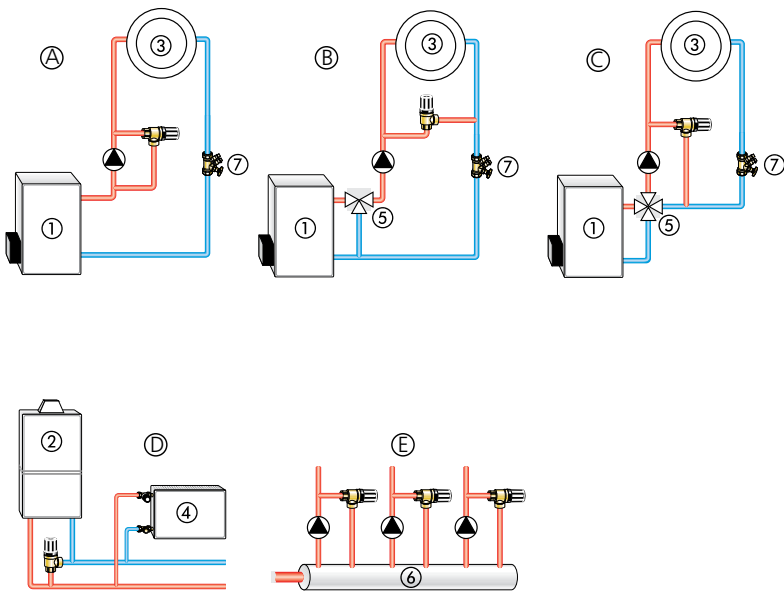
The p-band which applies when the heating system is in full operation is set on the overflow valve. When the current output is reduced, the valve opens, causing the output rate of the circulating pump to remain constant within a proportional band necessary for control purposes.

> Application

HEIMEIER Hydrolux is used in warm water pump heating systems. The current output of the circulating pump changes according to the heating load and operating condition of a heating system. Depending on the characterization of the pump characteristic line, a decrease in current output causes an increase in the output rate. In addition, the pressure loss in the pipe network decreases, creating the possibility of an oversupply and noise build-up in parts of the system. The Hydrolux overflow valve prevents an undesirable increase in the output rate and ensures that the current output remains constant.

For gas fired wall mounted heating systems, the minimum circulating water level is guaranteed. We particularly recommend that an overflow valve be used when the maximum output rate is significantly greater than the set opening pressure. To improve the effect of the overflow valve, the bypass connection should be set up in a current-efficient way, or in such a way that pressure loss is low, i. e. as short as possible, with generous dimensions and without unnecessary individual resistances.

Sample application



- 1. Oil/ gas boiler
- 2. Wall-mounted gas fired heater
- 3. Heating circuit
- 4. Radiator
- 5. 3-/4-way mixer
- 6. Manifold
- 7. TA STAD balancing valve

- A. System without mixer. Installed between the pressure and suction support pieces of the circulating pump.
- B. System with three-way mixer. Installed between the supply and return pipes.
- C. Heating system with fourway mixer. Installed between the supply and return pipes.
- D. Heating system with gas-fired wall mounted heater. Installed between the supply and return pipes (minimum circulating water level).
- E. System with several heating circuits. Installed between the supply pipe and the manifold.

Note

The contents of the heat transfer medium should comply with VDI guideline 2035 to prevent damage and scale deposit formation in warm water heating systems. For industrial and long-distance energy systems, see the applicable codes VdTÜV 1466 and AGFW 5/15. Mineral oils in the heat transfer medium or lubricants containing mineral oils of any type lead to strong swelling and in most cases cause EPDM seals to fail. When using nitrite-free frost and corrosion-resistance solutions with an ethylene glycol base, pay close attention to the details outlined in the manufacturers' documentation, particularly details concerning concentration and specific additives.

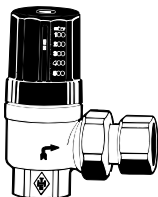
Article

Sleeve female thread



| Recommended max. volume flow V [m ³ /h] | Max. heat flow at Δ t 20 K V Q̇ [kW] | Max. heat flow at Δ t 10 K V Q̇ [kW] | DN | Article No |
|--|--------------------------------------|--------------------------------------|-------------|-------------|
| 2,0 | 46,5 | 23,3 | 20 (3/4") | 5501-03.000 |
| 3,5 | 81,4 | 40,7 | 25 (1") | 5501-04.000 |
| 7,0 | 162,8 | 81,4 | 32 (1 1/4") | 5501-05.000 |

Flat sealing with fitting

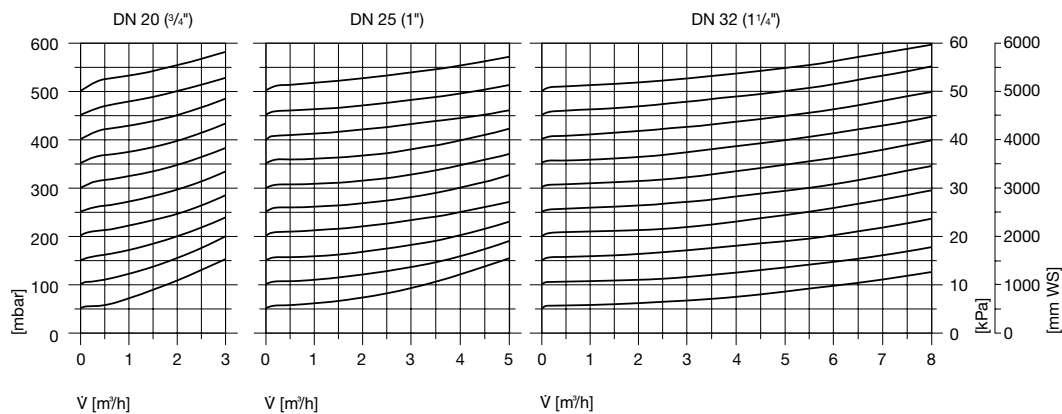


| Recommended max. volume flow V [m ³ /h] | Max. heat flow at Δ t 20 K V Q̇ [kW] | Max. heat flow at Δ t 10 K V Q̇ [kW] | DN | Article No |
|--|--------------------------------------|--------------------------------------|-------------|-------------|
| 2,0 | 46,5 | 23,3 | 20 (3/4") | 5503-03.000 |
| 3,5 | 81,4 | 40,7 | 25 (1") | 5503-04.000 |
| 7,0 | 162,8 | 81,4 | 32 (1 1/4") | 5503-05.000 |

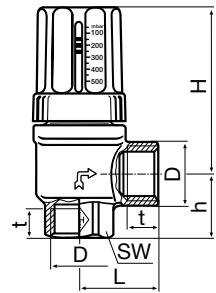
Setting

The HEIMEIER Hydrolux overflow valve is adjustable on the operating side and is preset to an opening pressure of 200 mbar (2 m WS). In most cases, this value has proved to be effective. If, however, a change to the presetting is required, first loosen the fastening screw. Then the opening pressure can be changed progressively within a range of 50 mbar and 500 mbar. At the same time, the required value can be read directly off the scale on the handwheel. No setting diagrams are required. The position selected should then be secured against unauthorized adjustment with the fastening screw.

Diagrams

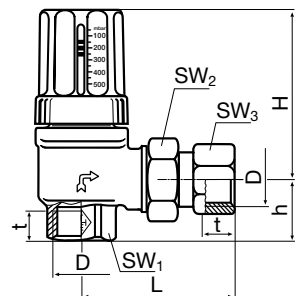


Lengths



Sleeve female thread

| DN | D | t | L | H | h | SW |
|----|---------|------|----|----|----|----|
| 20 | Rp3/4 | 16,3 | 40 | 85 | 32 | 32 |
| 25 | Rp1 | 19,1 | 48 | 90 | 37 | 39 |
| 32 | Rp1 1/4 | 21,4 | 55 | 90 | 46 | 50 |



Flat sealing with fitting

| NW | D | t | L | H | h | SW1 | SW2 | SW3 |
|----|---------|------|-----|----|----|-----|-----|-----|
| 20 | Rp3/4 | 16,3 | 77 | 85 | 32 | 32 | 37 | 32 |
| 25 | Rp1 | 19,1 | 90 | 90 | 37 | 39 | 47 | 41 |
| 32 | Rp1 1/4 | 21,4 | 102 | 90 | 46 | 50 | 52 | 50 |

SW = Spanner opening

1 mm = 0,0394 inch

The products, texts, photographs, graphics and diagrams in this document may be subject to alteration by TA Hydronics without prior notice or reasons being given.

For the most up to date information about our products and specifications, please visit www.tahydronics.com.

5100-18.483 03.2011